



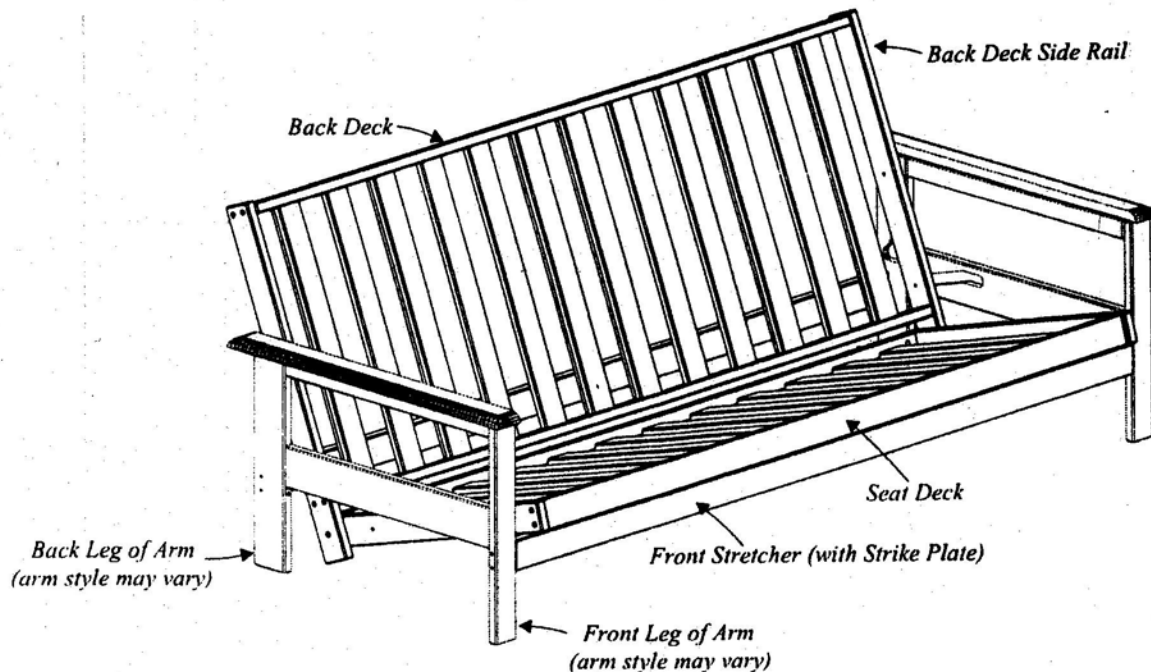
Adonis Furniture

# BIFOLD FUTON FRAME

# BIFOLD BODY

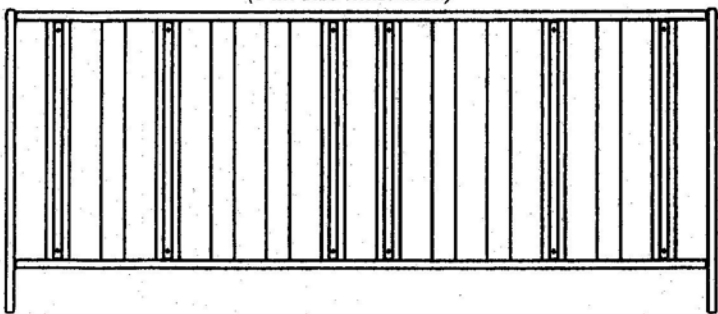
*Assembly and operating instructions*

Instructions apply to all sizes :  
Chair, 39" Twin Chaise,  
54" Loveseat, Full, Queen

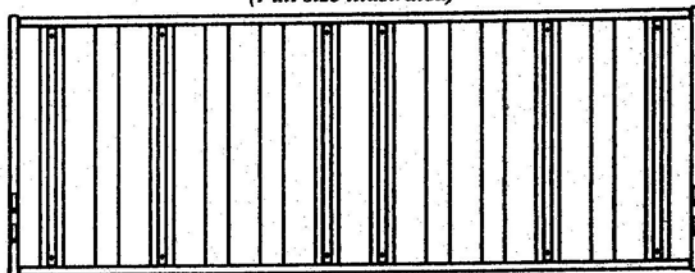


## 1.A. Parts in this box.

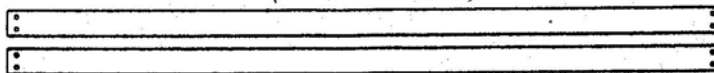
Back Deck X 1  
*(Full size illustrated)*



Seat Deck X1  
*(Full size illustrated)*



Stretchers X2  
*(Full size illustrated)*

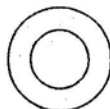


## 1.B. Hardware in this box.

Clevis pins X2



Washers X2



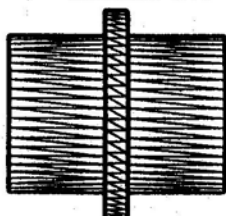
Locking Pins X2



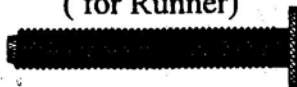
Ø10mm Wooden Dowels X4



Runners X4



40 mm Bolts X4  
*(for Runner)*



Allen Key X1



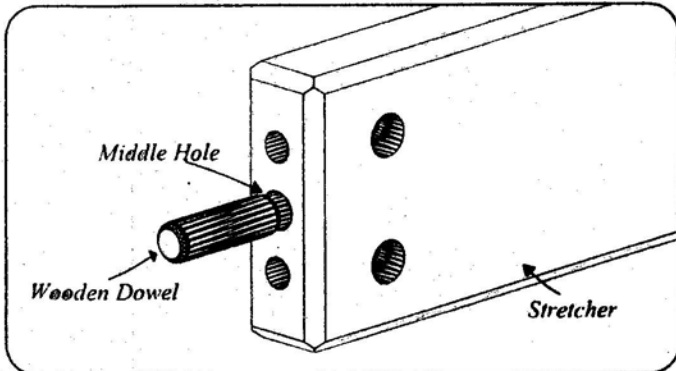
## Assembly Instructions

# BIFOLD FUTON FRAME

Instructions apply to all sizes:  
Chair, 39" Twin Chaise,  
54" Loveseat, Full, Queen

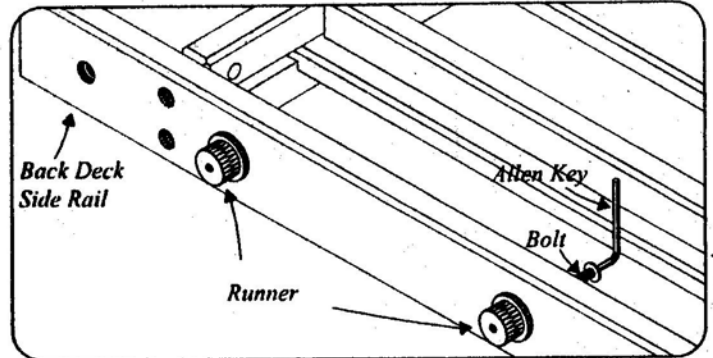
### 2.A. Prepare Arms for Assembly.

#### Fit Wooden Dowels.



Tap dowels all the way into the middle hole, at each end of the stretchers.

### 2.B. Assembly Runner to Back Deck Side Rail

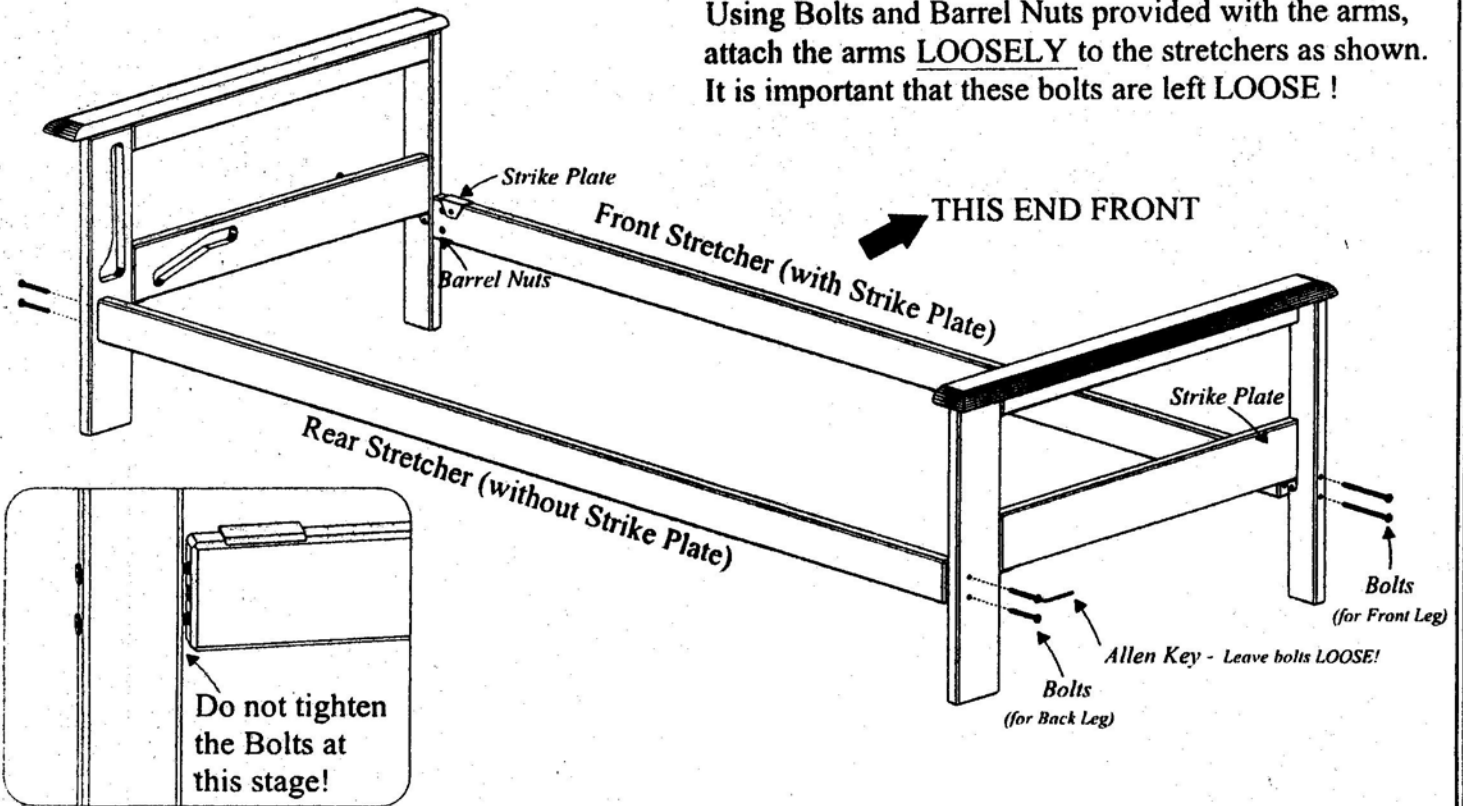


Fit runner into Ø25 mm hole provided on back deck side rail  
Then tighten with 40 mm Bolt on reverse side.

### 2.C. Attach Arms to Stretchers.

PS: Your arm style may vary

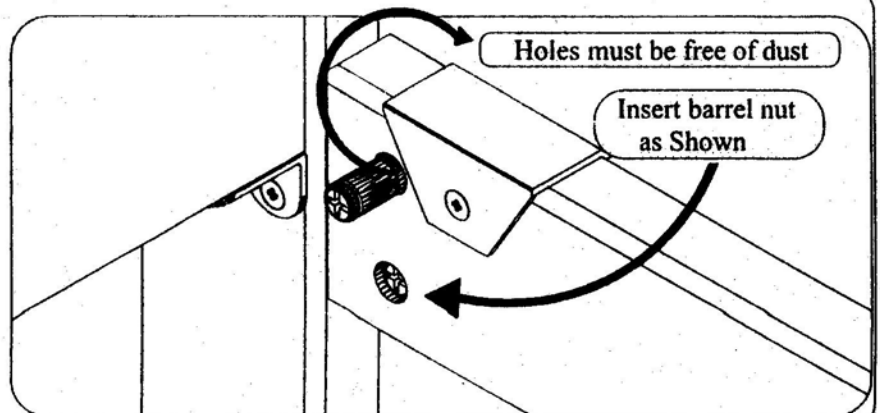
Using Bolts and Barrel Nuts provided with the arms, attach the arms **LOOSELY** to the stretchers as shown. It is important that these bolts are left **LOOSE** !



### BOLT AND BARREL NUT ASSEMBLY SYSTEM

Insert Barrel nut as shown using screwdriver. This will help you position the Nut in line with the bolt.

Do Not force the Bolt as you may strip the thread. Be sure the thread is properly started



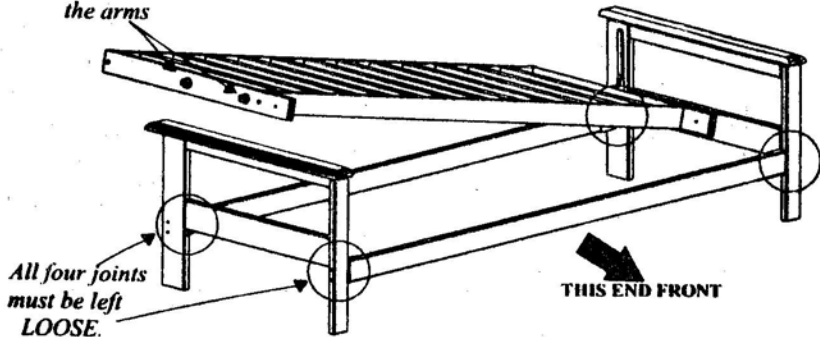
## Assembly Instructions

# BIFOLD FUTON FRAME

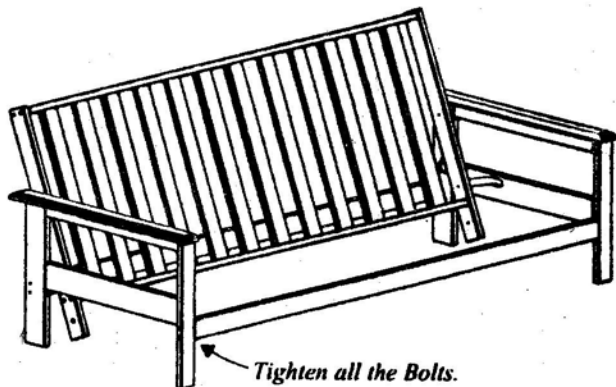
### 3.A. Fit Back Deck into Position.

**A. Insert the Back Deck lying flat. Insert one end first, then gently lower the other end into position.**

*CAREFUL!*  
*These can scratch  
the arms*

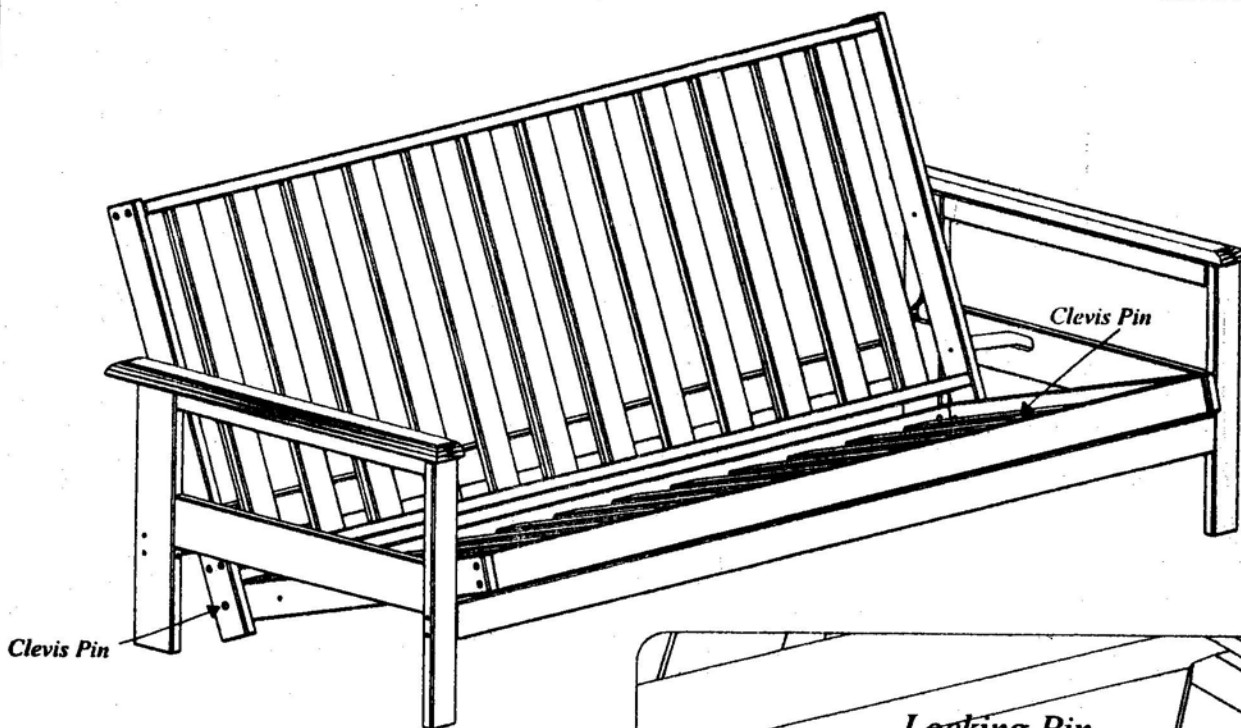


- This step can be tricky - it is best done with two people.
- Remember that the bolts on the arm should be LOOSE.
- Be careful not to SCRATCH the arms with the plastic Runners when you lower the ends of the Back Deck.

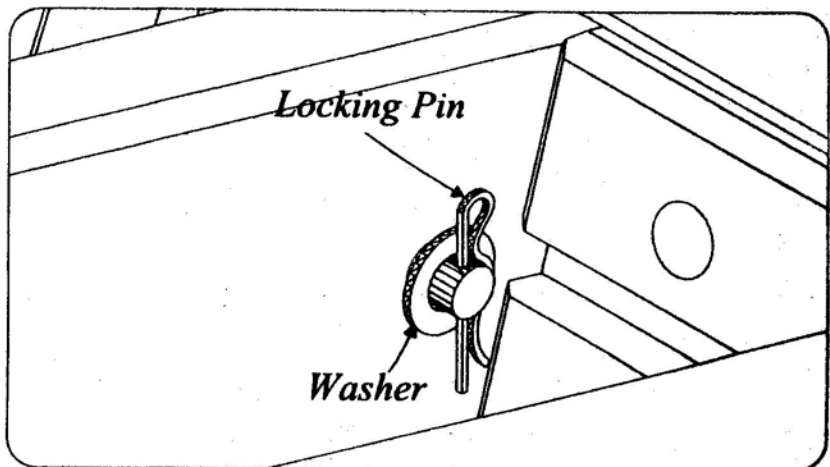


**B. When you have the Back Deck fitted lying flat, tighten all the Bolts. From the Back, lift the Back Deck to upright as illustrated.**

### 3.B. Fit Seat Deck into Position.



Fit the Seat Deck between the Arms and into the Back Deck as shown. Use the Clevis Pin to connect the two Deck. Secure with a Washer and Locking Pin.





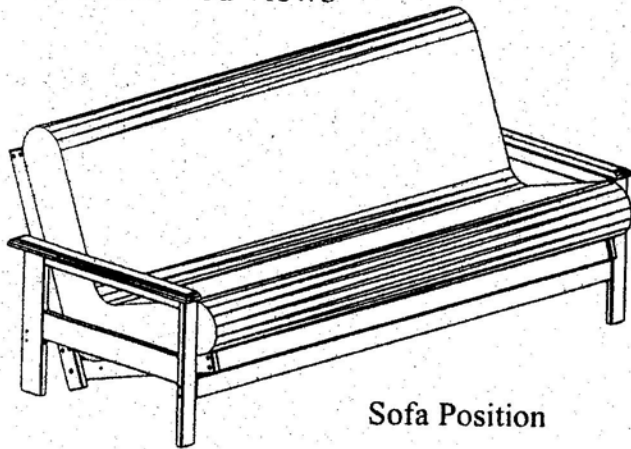
Adonis Furniture

# Futon Collection

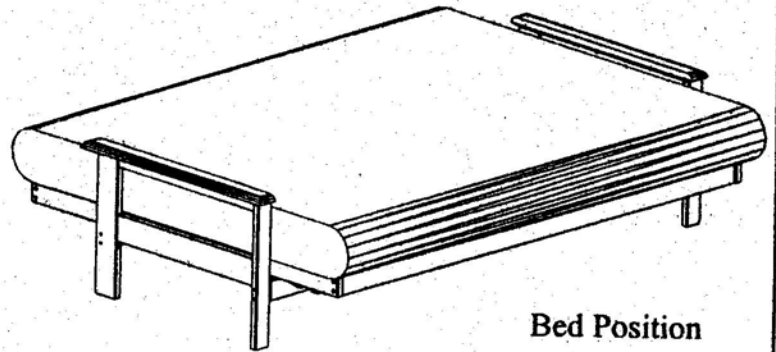
## Super Body Series

### Operating Instructions

#### 1. Assembled views



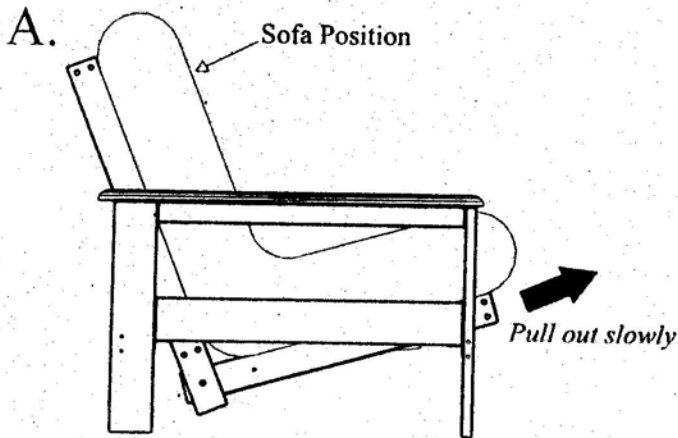
Sofa Position



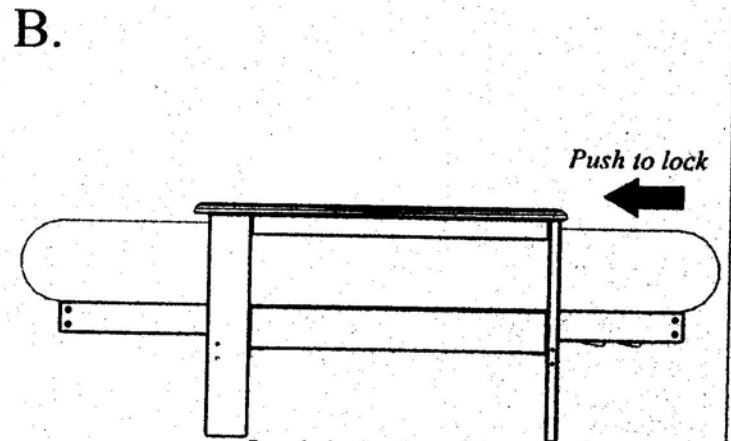
Bed Position

#### 2. Sofa and Lounge to bed position

*PS : Your arm style may vary.*

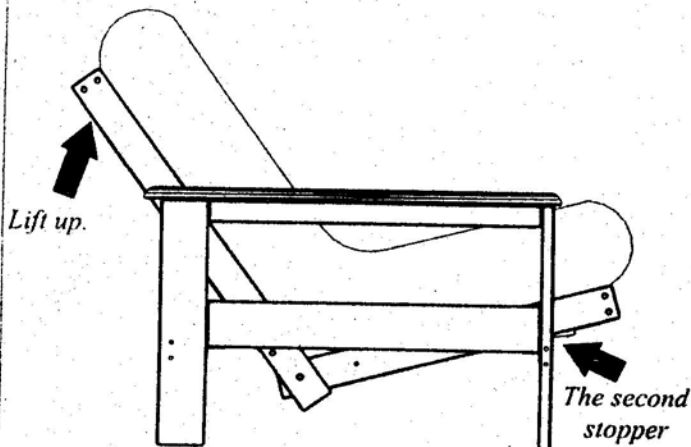


Pull out gently, and let the back drop down slowly.



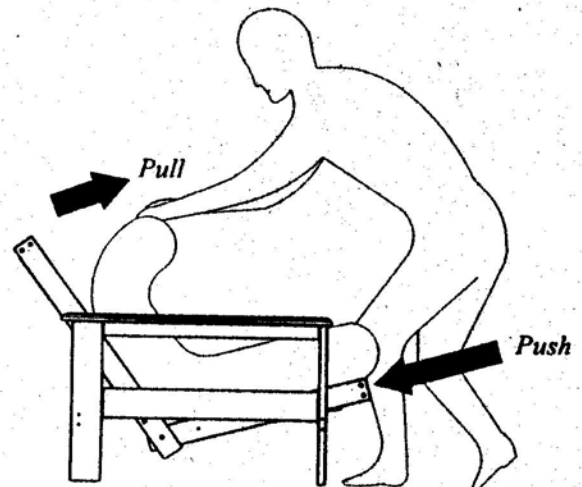
Lock in bed position

#### 3. Bed to lounge position



From the Back : Lift up to Lounge Position

#### 4. Lounge to sofa position



From the Front : Pull back on the mattress and push into final position with your leg.