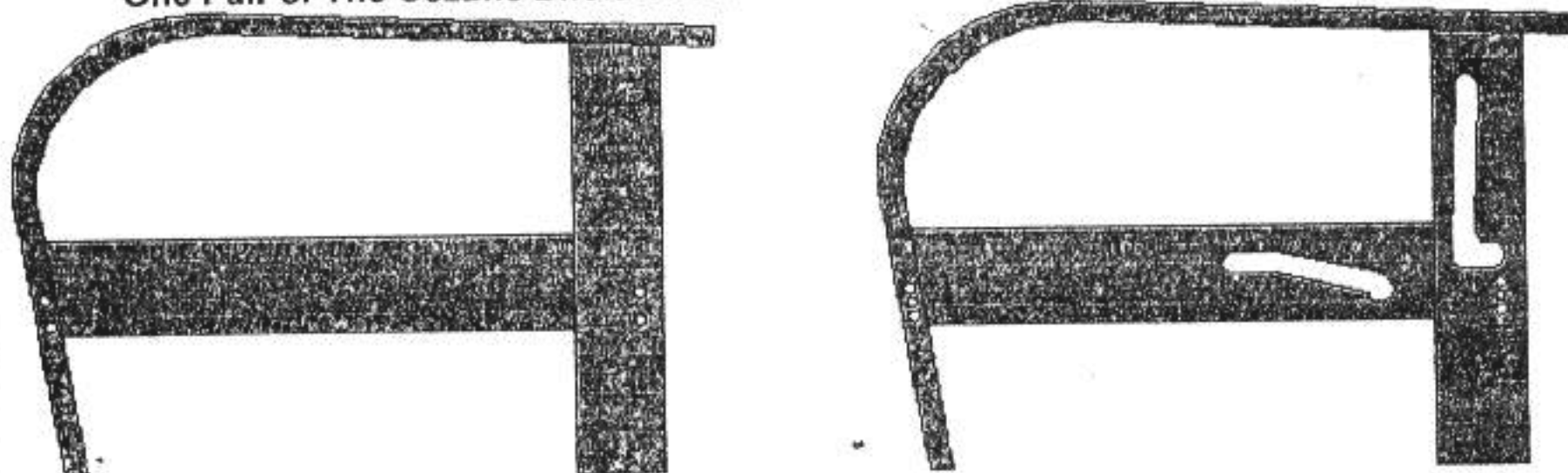


Futon Frame

Part List for CEZANNE Bifold Arm

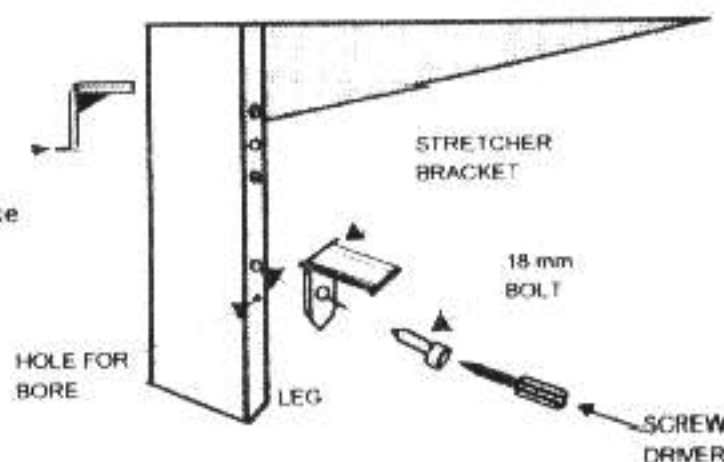
See Bifold Body Box For complete instruction

One Pair of The Cezane Bifold Arms



FASTENING STRETCHER BRACKET TO THE ARM

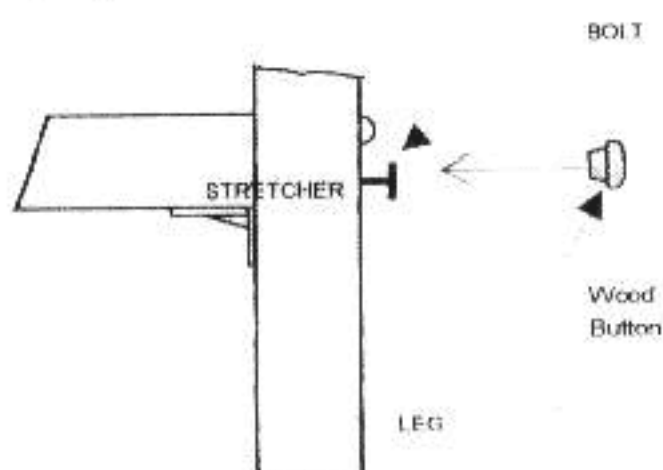
- a) Insert the bracket Cleat into the hole provided.
 - b) Use 18 mm Bolt to attach Stretcher Bracket as shown.
- IMPORTANT :** Don't fully tighten Bracket until Stretchers are all in place



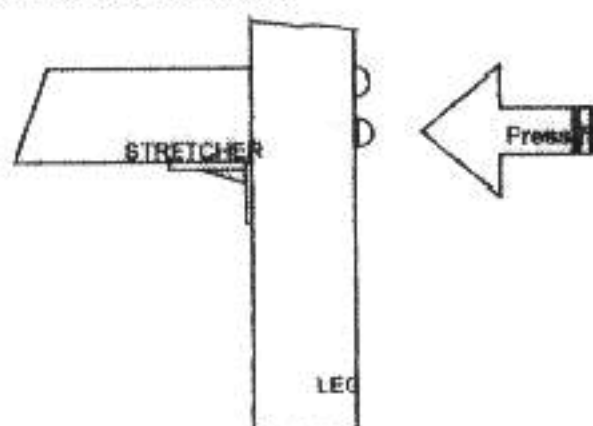
25mm x 65mm Front Leg is shown in the diagram.
Procedure is the same for the back leg and all leg sizes.

Fixing Wood Buttons






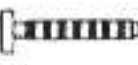


a) Tighten all Bolts



b) Fit Wood Buttons as shown.



Hard ware in this box :

<p>BOLTS (100 mm)</p>  <p>4 pcs</p>	<p>DOWEL 30 mm long</p>  <p>4 pcs</p>	<p>BARREL NUTS 22 mm</p>  <p>8 pcs</p>	<p>WOOD BUTTON</p>  <p>8 pcs</p>
<p>BOLTS (60 mm)</p>  <p>4 pcs</p>	<p>BOLTS (18 mm)</p>  <p>4 pcs</p>	<p>STRETCHER BRACKET</p>  <p>4 pcs pcs</p>	<p>SCREWDRIVER</p>  <p>1 pcs</p>

CAUTION !

Read these Conversion Instructions carefully as
Improper operation will cause damage

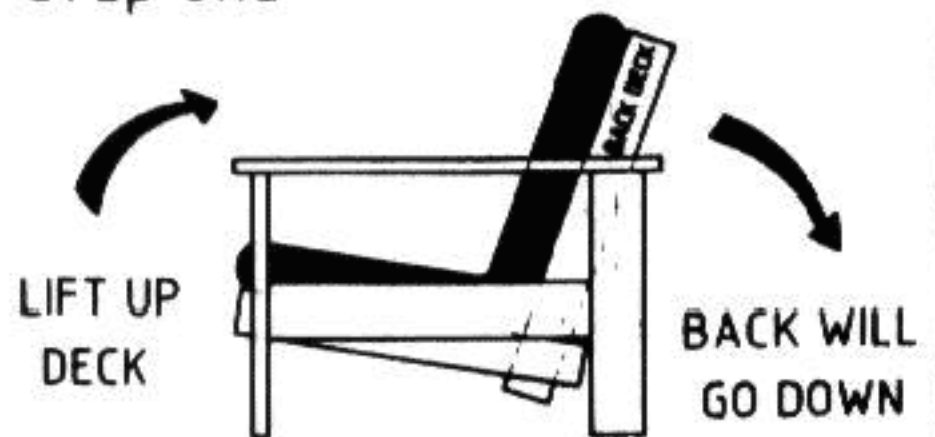
CONVERTING FROM SOFA TO BED

NOTE :

Some futon mattresses are heavy and can cause strain on your futon frame during the conversion process.

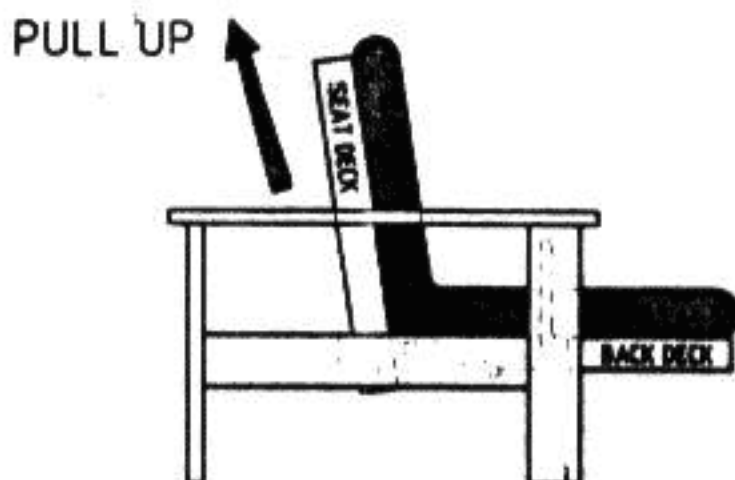
Read these instructions carefully and follow the proper steps to avoid damage to your frame

Step One



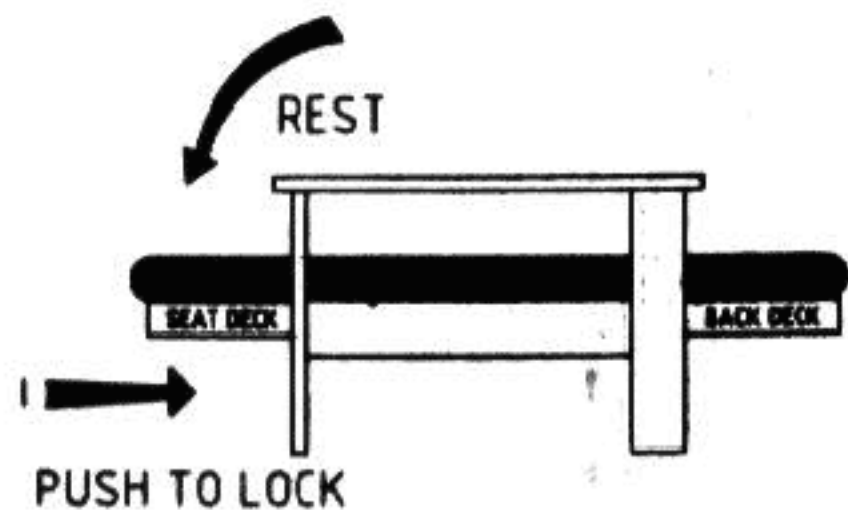
Lift up the seat deck, causing the back deck to go down, until the back deck rests flat on the back stretcher rail

Step Two



Pull the seat deck straight up until it clears the back deck.

Step Three



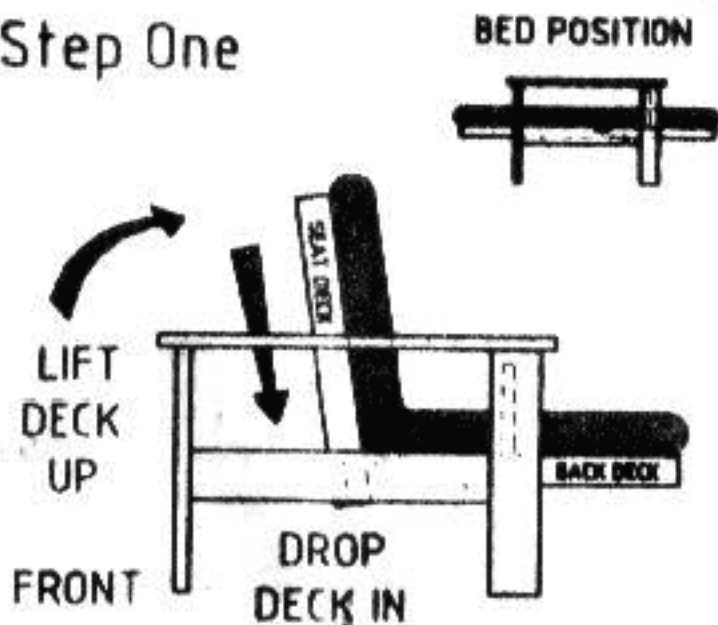
Rest the seat deck down on the front stretcher rail, then push the decks back to "lock them in the bed position.

CAUTION !

Read these Conversion Instructions carefully as
Improper operation will cause damage

CONVERTING FROM BED TO SOFA

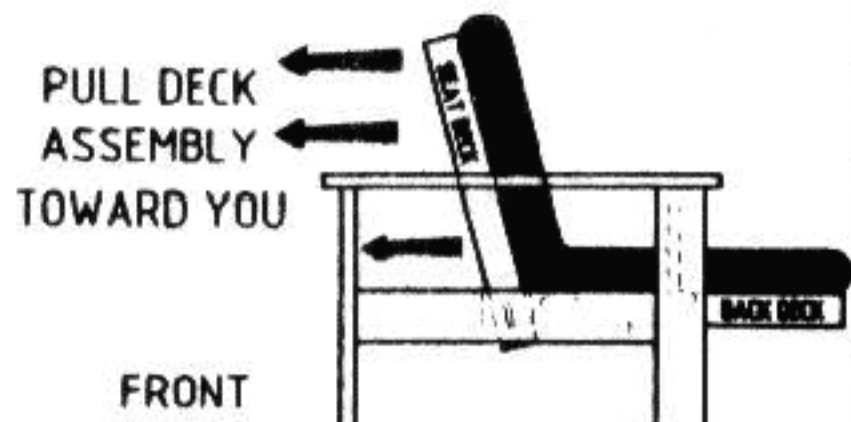
Step One



Starting with the frame in the bed position, lift the seat deck all the way up to vertical, then drop it straight down, causing the decks to join together

Step Two

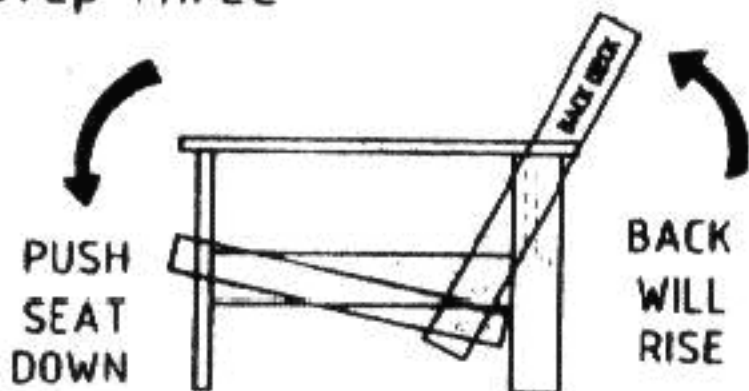
Pull the deck assembly straight toward to you, all the way forward to "unlock" the decks from the bed position.



IMPORTANT !

Make sure the decks are fully forward before proceeding to the next step.

Step Three

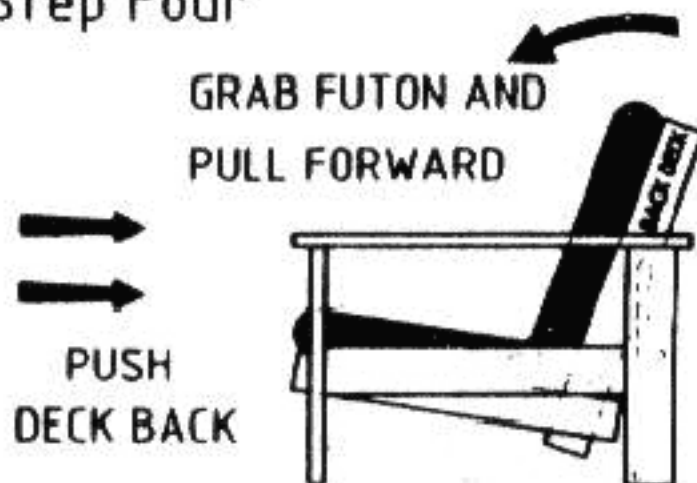


Push down on the seat deck and the back deck will begin to rise. Continue to push down until the seat deck rests on the front stretcher rail.

STOP !

If you push down on the seat deck and back deck doesn't begin to rise -STOP-. The deck assembly is not fully forward and unlocked from the bed position. Pull the decks all the way forward and try again. do not try to force them or damage will occur

Step Four



Grab the top edge of futon mattress at the middle and pull it toward you, taking the weight of the mattress off the back deck. Simultaneously, push the seat deck in from the front (using your leg to nudge the seat deck can helpul) and the back deck will rise fully. The seat is locked in place when the plastic stoppers attached to the bottom of the seat deck drop in behind the front stretcher rail.



Before beginning the actual assembly of your futon frame, make sure that all of the parts described on the front page are included in your futon's box.

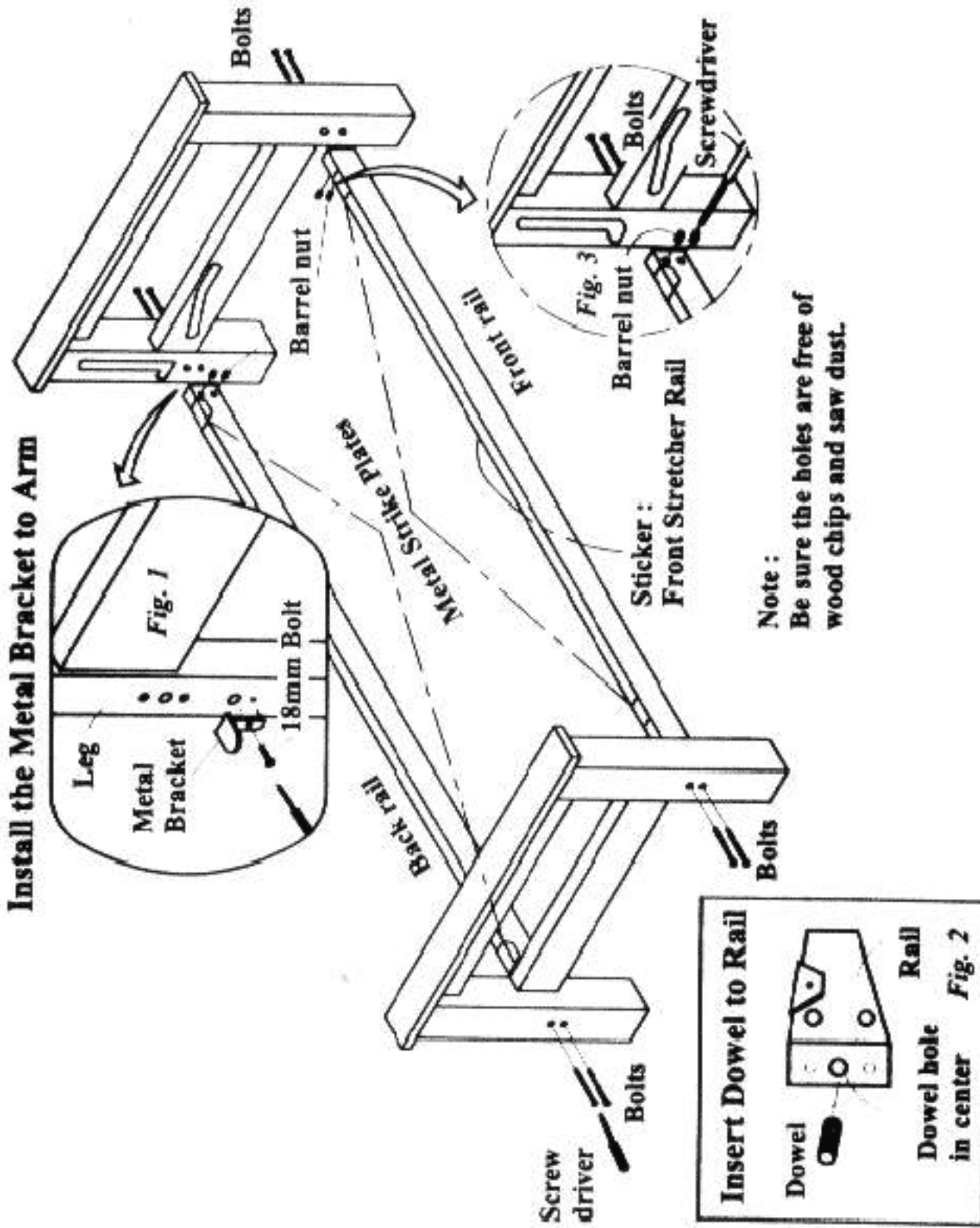
STEP 1

ASSEMBLE BRACKET & RAILS TO ARM

1. Remove the brackets and 18mm bolts from carton 1. Using the screw driver attach the brackets to the bottom holes of inside leg of the arm as shown in *fig. 1*
2. Remove the stretcher rails from carton 2. Insert wood dowel to the end of each rail as shown in *fig. 2*
3. Using the bolts and barrel nut from carton 1, assemble the stretcher rail to the arms as shown in *fig. 3*

- The front and back rails are marked differently.
- All metal brackets on the rails are face up.
- Do not tighten until the back is inserted into the frame.

Install the Metal Bracket to Arm



Assembly Instructions

Futon body
Carton 2 of 1 cartons

Page 1 of 4



This futon frame has 2 cartons - A body carton (2/2) and an arms carton (1/2). Open both cartons before starting and check that all hardware and components are included.

Hardware in this box :

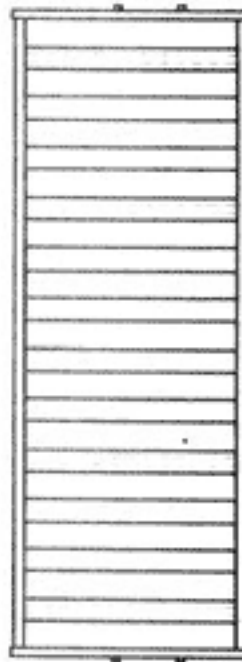


Screw driver 1 pc
(For M8 Bolt)

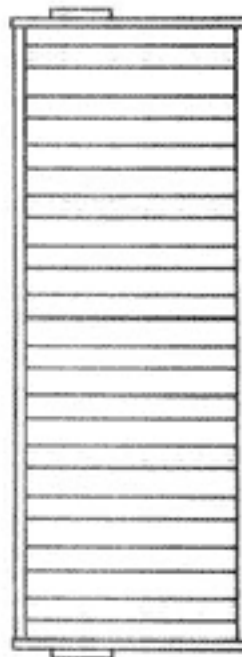


M8x50mm 2 pcs

Components :



Back deck x 1 pc



Seat deck x 1 pc



Stretcher x 2 pcs

For Size :

CHAIR
LOVESEAT
FULL
QUEEN

NOTE :

1. These Assembly Instructions show Full size frame assembly. Procedure is the same for all size.
2. Your arm style may vary from the one shown. Procedure is the same for styles.

**Assembly
Instructions**



STEP 2

FIT BACK DECK INTO POSITION

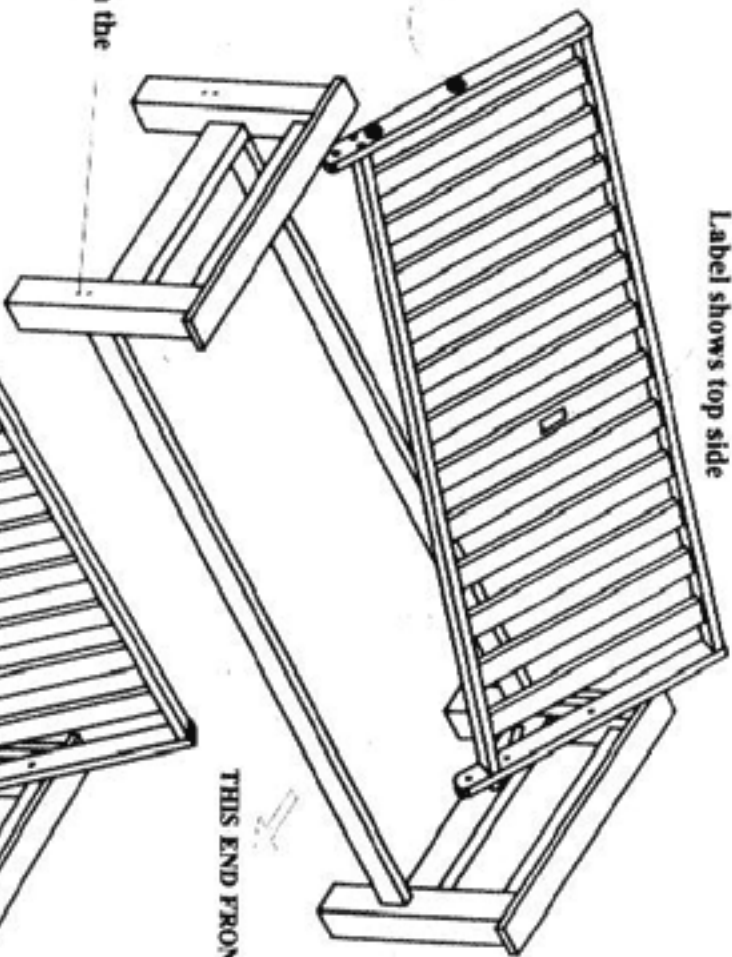
1. Place the Back Deck between both bifold arms. Fit the wheel into the grooves in the arms.
2. Insert one end first, then gently lower the other end into position.
3. When you have the Back deck fitted lying flat, tighten all the Bolts. From the back, lift the Back Deck to up right as illustrated.
4. Once the Back Deck is in tighten all bolts.

NOTE :
This step can be tricky - it is best with two people.

- Note :**
1. Guide the plastic wheel into the arm groove.
 2. Be careful not to scratch the arms with the plastic wheel.

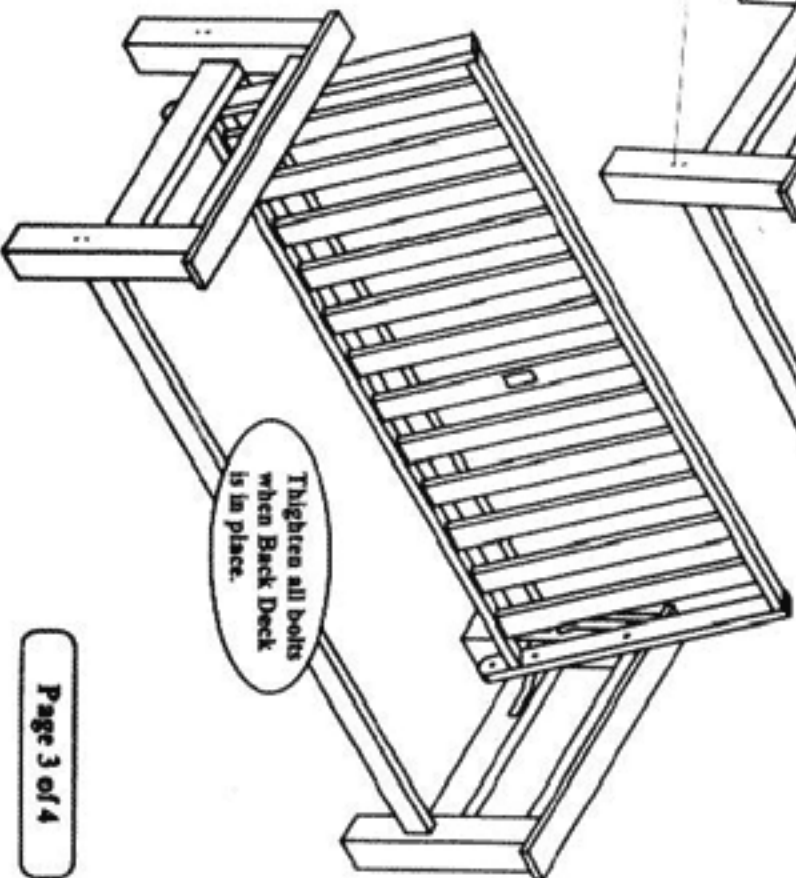
Ensure bolts on the Arms are loose

Label shows top side



THIS END FRONT

Note :
Do not force the Bolt as you may strip the thread. Be sure the thread is properly started.

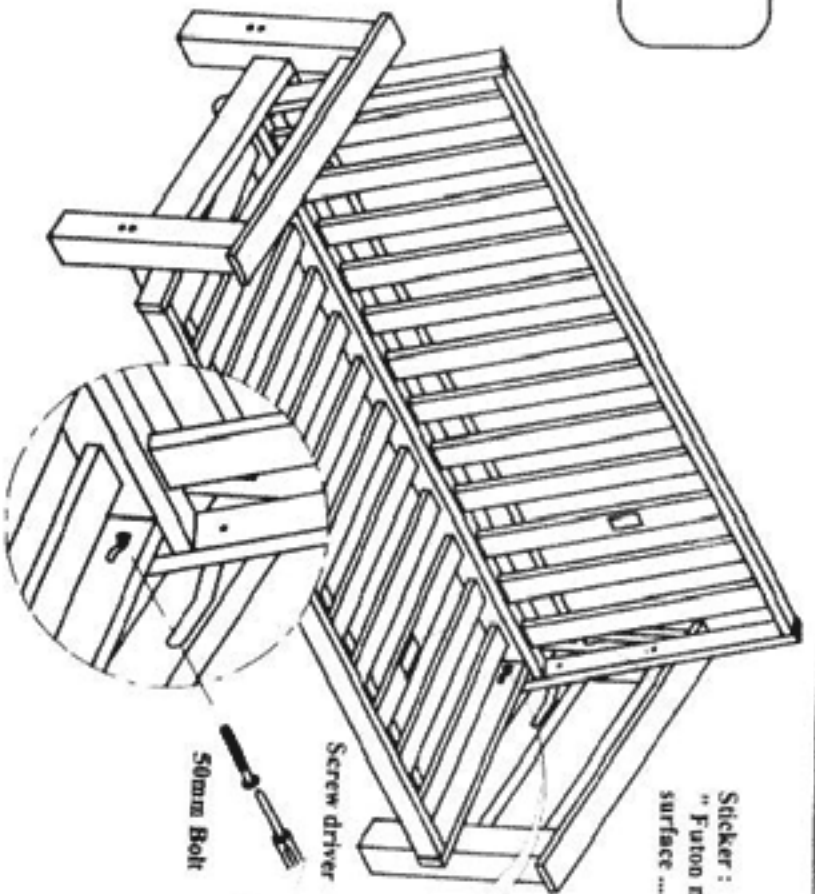


Tighten all bolts when Back Deck is in place.

Assembly Instructions



Page 4 of 4



Sticker :
" Futon mattress sits on this surface "

STEP 3 FIT SEAT DECK POSITION

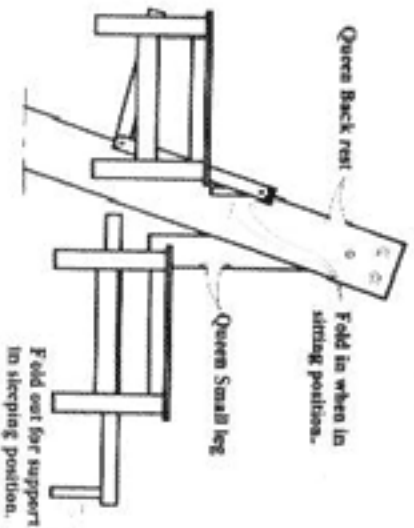
1. Fit the assembled seat deck between the Bifold arms and into the back deck as shown.
2. Use 55mm Bolt to connect the two decks.

Note :
Your frame is now completely assembled.

Read the operating instructions before continuing.

STEP 4

FOR QUEEN SIZE ONLY
ATTACH SMALL LEG



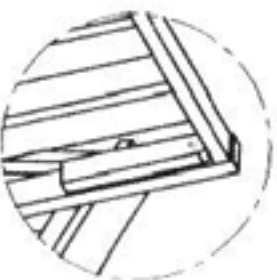
Queen Back rest
Fold in when in sitting position.

Queen Small leg

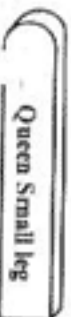
Fold out for support in sleeping position.

IMPORTANT :

Orientation of the Queen Small Leg, note that the exposed part of the metal nut in the leg should be oriented away from the bolt for proper assembly.



Bolt 50mm



Exposed part of metal nut